



16027 Hwy 64 East – Anamosa, Iowa 52205

Phone: 319-462-2344 or 888-962-2344

Email: [scaletec@scale-tec.com](mailto:scaletec@scale-tec.com)

## John Deere New Style 1790 CCS Scale System

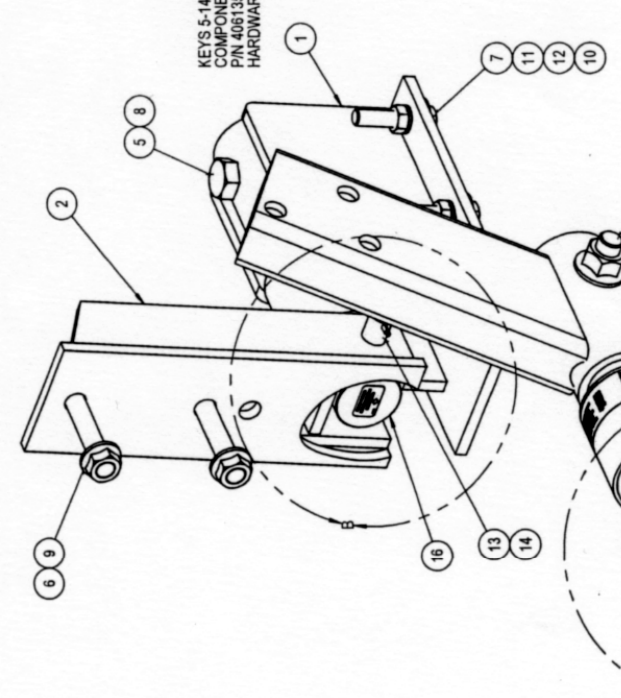
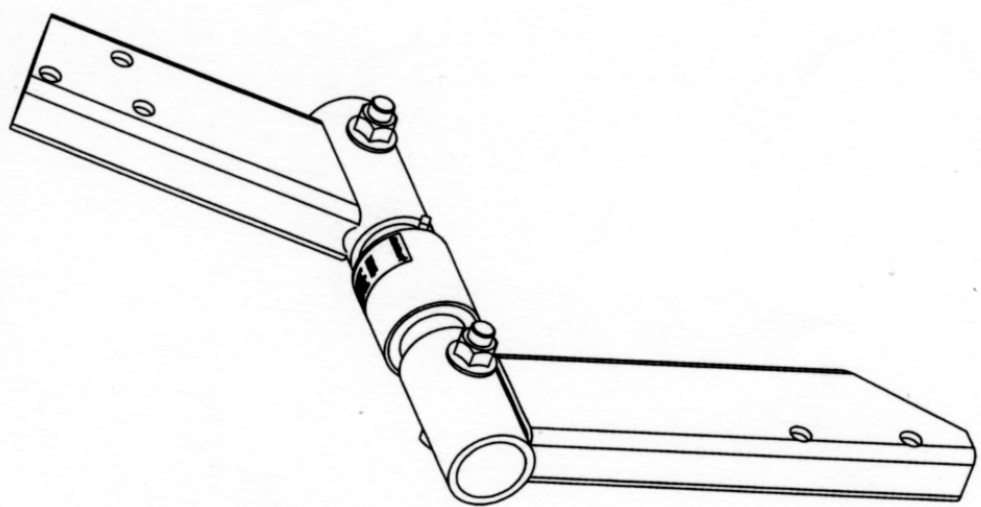
# Instruction Booklet



**This product application is covered by U.S. Patents;**

**PATENTS: 6,732,667—7,059,258—7,273,017—7,357,087—7,448,335—7,523,710**

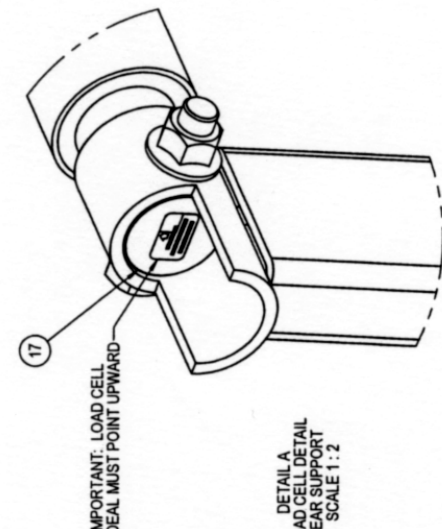
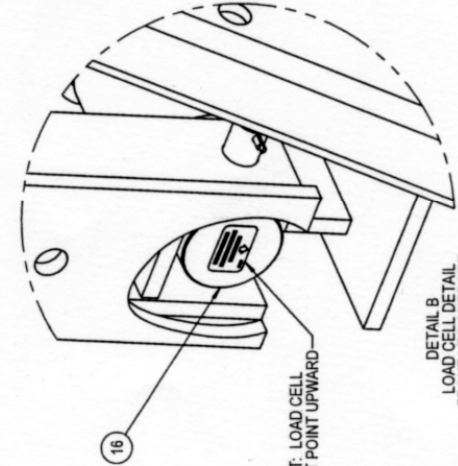
**PATENT PENDING: 12/427,915**



KEYS 5-14 ARE  
COMPONENTS OF  
PIN 406135 PACK-  
HARDWARE (JD 1790)

HWD REQ  
406135  
406133

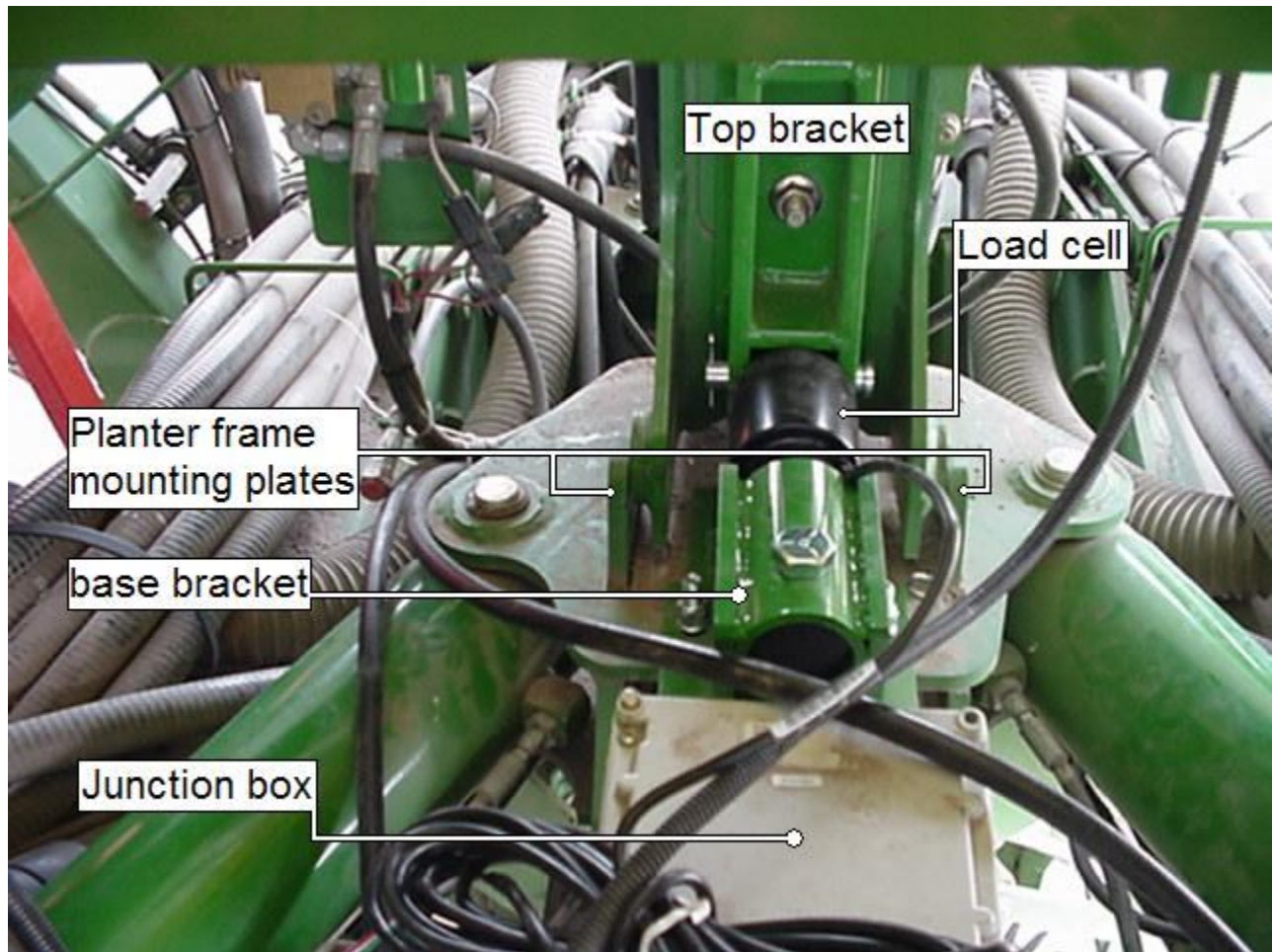
KEY	COL 2 REQD	COL 1 QTY	QTY	PART NO	DESCRIPTION
1			1	406046	WELD-MID BOTTOM BRKT (JD1790-04)
2			1	406047	WELD-MID TOP BRKT (JD1790-03)
3			2	405998	WELD-REAR BOTTOM (JD1790-01)
4			2	406000	WELD-TOP REAR LEG (JD1790-02)
5	2	3	5	405895	SCR - 3/4-10 X 4.0 HHCS ZP GRD 5
6		2	2	406129	SCR - 5/8-11 X 3.5 HHCS ZP GRD 5
7		4	4	405854	SCR - 1/2-13 X 2-1/4 HHCS ZP GRD 5
8	2	3	5	405988	NUT-3/4-10 TOP-LOCK FLANGE ZP
9		2	2	406070	NUT-5/8-11 TOP-LOCK FLANGE ZP
10		4	4	405856	NUT - 1/2-13 HEX ZP
11		4	4	405053	WASH-1/2 FLAT WIDE ZP
12		4	4	405855	WASH-1/2 LOCK ZP
13		1	1	406148	PIN-CLEVIS 3/4 X 4.0 ZP
14		1	1	405987	PIN-COTTER 5/32 X 1.0 ZP
15			1	406081	PACK-ROBO SWIVEL MOUNT
16			1	400061	CELL - 2 1/8 DB PIN H - 4140
17			2	400525	CELL - 2.125 DB
18			1	404254	ASSY J-BOX 3PT/4PT MOBILE
19			1	824316	CABLE-16FT J-BOX
20			1	403335	CABLE-POWER 17FT 2-WIRE
21			1	403776	EZ400 1.602BL-IND



- SHIPPING NOTES:
- CARTON KEYS 1-4
  - PICK 406135 PACK-HARDWARE (JD1790) AND REMAINING HARDWARE IN COLUMN 2.
  - CARTON KEYS 15-21.

DRAWING TITLE <b>KIT-SCALE (JD1790_NS)</b>		DATE 07/22/09	SCALE 1:3.5	FORM 52/8	SHEET 1 OF 1	DRAWING NUMBER 406133
Digi-Star WISCONSIN STATE UNIVERSITY FOR PORT ATKINSON, WISCONSIN		UNITS DIMENSIONS TOLERANCES ANGLES	SCALE 1:3.5	FORM 52/8	SHEET 1 OF 1	DRAWING NUMBER 406133
REV	NUMBER	DATE	DESCRIPTION			
A	08-022	RELEASED	5/28/0			

## 1790 New Style Front Leg Assembly



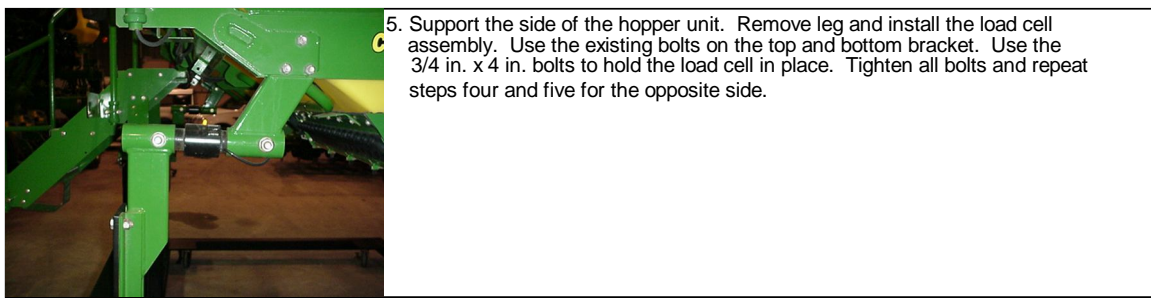
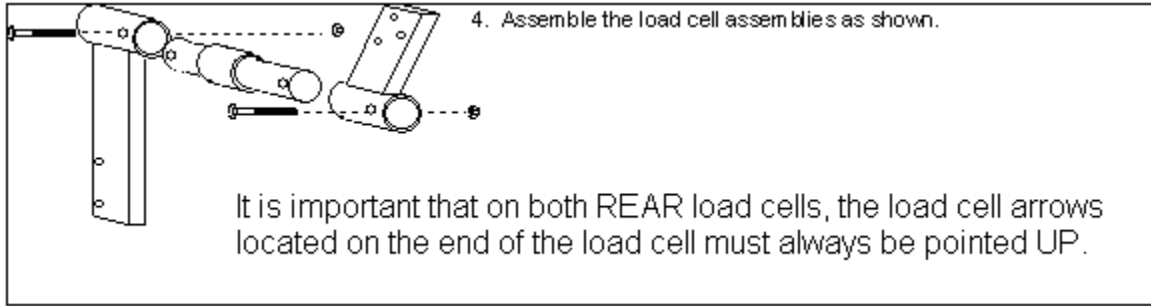
- 1.) Remove the two horizontal 5/8" bolts to the front leg and mounting plates on the planter frame. Lift the front leg up 3/4". Assemble the Front Leg Assembly. **IMPORTANT:** The load cell arrow located on the end of the FRONT LOAD CELL needs to be pointed DOWN.
- 2.) Use the 3"x3/4" bolt to bolt the load cell to the base bracket. Use the 4"x3/4" clevis pin from the load cell to the top bracket.
- 3.) Install the Front Leg Assembly to the front leg, using the existing hardware. Use the 2 1/2" x 1/2" bolts provided to hold the base bracket and shim plate to the planter frame. Tighten the base plate to planter frame.

Make sure the front leg -

is not rubbing on the planter frame mounting plates!



The junction box gets bolted to the two holes on the end of the base bracket here. \_\_\_\_\_ ^ \_ ^



Load Cell Connection:

The indicator is designed to operate with strain gage load cells. The load cells are connected to the terminal board inside the indicator. Remove the four front screws, on the front panel of the indicator, to locate the terminal board. The indicator can be mounted on the railing between the two hoppers, or on the rear of the seeder. Use parts H151618 (two each) and H136110 (two each) and bolt it to the indicator mounting bracket. This will allow you to swivel to the rear while filling and swivel to the front for planting.

Power Cord:

Red and white wire positive, black wire is negative.

Cab Mounting:

A junction box can be added to system if cables are too short to reach tractor cab.

If you have any questions regarding the installation or the product, give us a call at (319)-462-2344, or toll-free +1-888-963-2344.

**Planter mounted indicator:**



Above: the indicator can also be mounted to the railing. It can then be turned to face backward while filling the hoppers, and turned forward for observation from the cab while planting.

If you have any questions regarding the installation or the product, give us a call at (319)-462-2344, or toll-free +1-888-963-2344.

**Power Connection:**

The power cable should be connected directly to a vehicle battery or regulated power supply. The scale end of the power cable is attached to the J901 connector located on the bottom panel of the scale.

Connect the RED wire from the power cable to +12 VDC and the BLACK wire to GROUND. The indicator is fused internally at 4 amps.

Power Cable Connections:

<b>Wire color</b>	<b>Wire Function</b>
Red	<i>Battery (+12 VDC)</i>
Black	<i>GROUND</i>

**Load Cell Connection:**

The indicator is designed to operate with strain gage load cells. The indicator will normally be supplied with a "J-BOX" cable going between the scale and the load cell junction box. Extension kits are available from your dealer in various lengths.

To connect the load cells, attach the junction box cable to the J902 or J903 connector on the bottom panel of the scale.

### **How to use a scale on a Central Fill System**

\*\*\* The example we are using is 2000 lbs of seed evenly filled in both hoppers. There is 25 lbs of seed left from the last fill.

1. Push the 'Start' button. The screen will show zero, and the arrow is now pointing to 'Net' on the screen. This is a temporary zero point to start loading the planter with seed. You will now fill 1000 lbs of seed into the left hopper.
2. Push the 'Stop' button, the readout now reads 1025 lbs of seed inventory.
3. Push the 'Start' button again. The screen will say zero again. Load another 1000 lbs of seed into the right side.
4. Now push 'Stop,' and the screen will read 2025 lbs of seed. The numbers will work lower as the seed is planted.