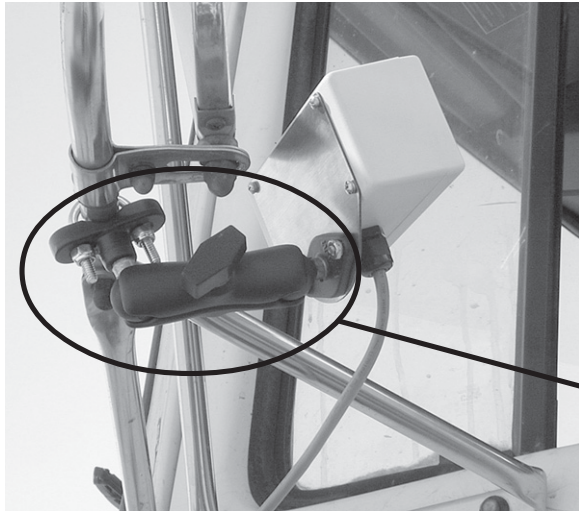


# RD1012M Installation and User's Guide



Optional mirror mount bracket



To install the RD1012M, attach to a mirror, wall, inside a truck or tractor, etc and plug into the appropriate indicator. (As shown above, the mirror mount bracket kit is an option W/T P/N 53813-0014) The indicator must be fitted with an optional remote display/serial port.

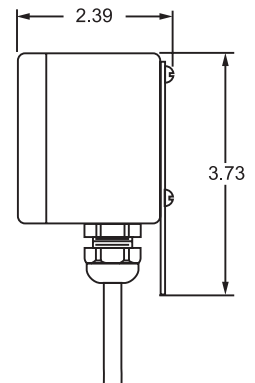
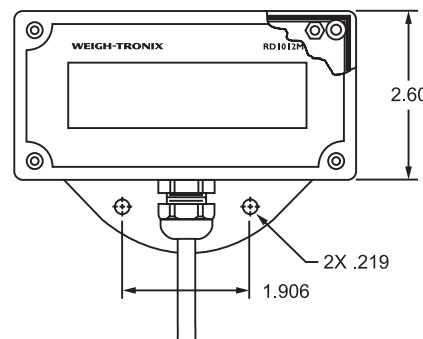
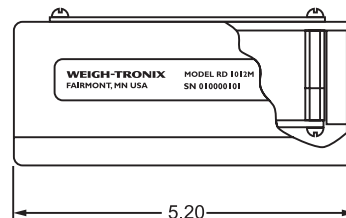
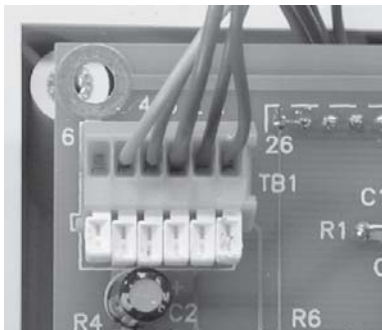
The RD1012M will only function with the following indicators:

- |                                  |                                |
|----------------------------------|--------------------------------|
| P/N 53798-0013,-0021,-0039,-0047 | Models: 600,700E,615,615XL,715 |
| P/N 53798-0054,-0062,-0070,-0088 | Models: 915, 915A,1015         |
| P/N 53928-0016,-0024,-0032,-0040 | Models: 2015                   |

Once installed, turn on the indicator and notice the RD1012M will also power on and show the same weight readings that are being displayed on the weight indicator.

If you must remove the cable from the remote display to route it through a small opening, remove the screws holding the front panel to the enclosure, then remove the screws holding down the PC board. Turn the board over and remove the wires from TB1. The interface cable connection is shown below. To rewire the connection follow this table:

- |                   |                      |
|-------------------|----------------------|
| TB1-1 Red wire    | TB1-2 Brown wire     |
| TB1-3 Green wire  | TB1-4 Blue wire      |
| TB1-5 Orange wire | TB1-6 Violet (M2015) |



**Weigh-Tronix**

1000 Armstrong Dr.

Fairmont, MN 56031 USA

Telephone: 507-238-4461

Facsimile: 507-238-8283

e-mail: [ag@weigh-tronix.com](mailto:ag@weigh-tronix.com)

[www.agscales.com](http://www.agscales.com)



**Avery Weigh-Tronix**

SCALES FOR AGRIBUSINESS