

# Alley Weigh User's Guide



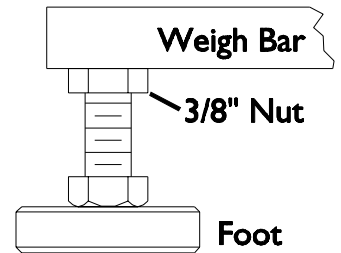
Thank you for purchasing the Weigh-Tronix Alley Weigh, a portable multi-purpose scale. We are confident that it will provide you with accurate and dependable weighing in a variety of applications. Please take a moment to read through the following information and keep for future reference.

## Inspecting the Scale

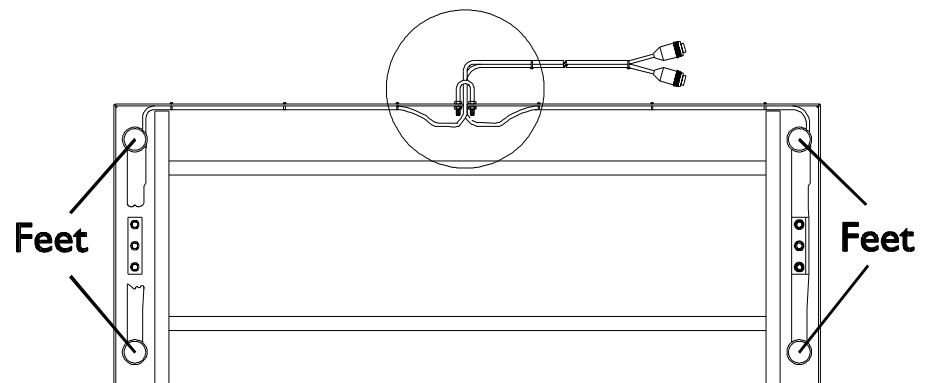
1. Carefully inspect the unit for any signs of shipping damage. In the event that shipping damage is discovered, please provide verbal and written notification to both the carrier and Weigh-Tronix immediately.
2. Check the contents of the plastic bag and make sure you have (4) adjustable footpads, (1) U-bolt, (4) .25-20 nuts, (2) .25 lock washers, and (6) cable ties. If anything is missing, please notify your dealer or the Weigh-Tronix sales department at 507-238-4461.

## Getting the Scale Ready

1. Make sure the hardware holding the Weigh Bars in place is securely fastened.
2. Install the adjustable footpads as shown in Figure 1.
3. Place the Weigh Bar cables, one on top of the other, into the slot on the side of the deck. Be sure to leave a small amount of slack in the cables just before they exit the deck. See Figure 2.

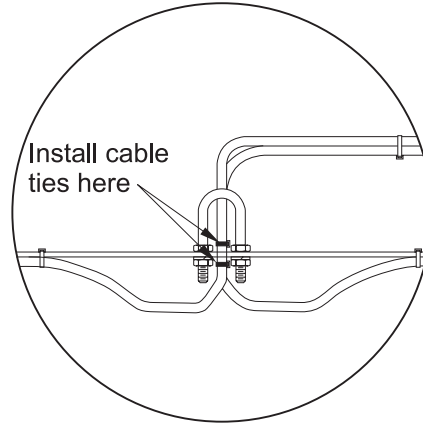


**Figure 1**  
Footpad installation



**Figure 2**  
Bottom view of Alley Weigh.

4. Install a cable tie around both cables immediately before and after the cables exit the deck. See Figure 3.
5. Place a nut on each side of the U-bolt and turn until they are at the bottom of the U-bolt threads.
6. Insert the U-bolt into the holes on the sides of the cable slot, as shown in Figure 3, so the U-bolt will be below the cables when the Alley Weigh is upright. Secure the U-bolt with the lock-washers and nuts provided.



**Figure 3**  
Enlarged view of U-bolt and cable tie installation as viewed from bottom side

## Setting the Scale in Place

**IMPORTANT:** *The scale should not rock on the load-bearing surface areas and these areas should not give under load!*

1. The Alley Weigh will perform best on a flat, level, and solid surface. Minor irregularities in the floor may be compensated for by adjusting the feet.
2. To adjust the height of a foot, loosen the nut that holds the foot in place (Figure 1), make the adjustment, and retighten the nut.
3. Take care in routing the scale cables up to the indicator to minimize the risk of damage.

## Maintaining the Scale

1. Always protect the Weigh Bar cables from damage. If a cable is damaged, contact your dealer or the Weigh-Tronix service department for instructions on repairing the cable.
2. Do not use a pressure washer at close range to the scale surface.
3. Never pressure wash the Weigh Bars or the indicator.
4. Periodically check that all hardware is properly tightened.

## Troubleshooting

### Problem

Doesn't weigh the same at different points on scale

### Possible Cause

- Scale is not level.
- Feet are not adjusted properly so that each is bearing load.

Unstable readings on the scale indicator

- Debris is under the scale or between Weigh Bar and deck.
- Scale is not setting on a solid surface.
- Weigh Bar mounting hardware is not tight.

Scale indicator display is blank

- Scale cables are not securely plugged into indicator.
- Scale cables have been damaged.
- Weigh Bar damage or failure.
- Moisture in the Weigh Bar cable connectors.

Display doesn't change as weight is added

- Improper input voltage to the indicator.
- Debris is under the scale or between Weigh Bar and deck.
- Scale cables are not securely plugged into indicator.
- Spacers are missing between Weigh Bar and deck.
- Scale cables have been damaged.
- Weigh Bar damage or failure.

## Replacing a Weigh Bar

1. Remove the feet from the Weigh Bar.
2. Remove the nuts, lockwashers and carriage bolts that hold the Weigh Bar in place.
3. Remove the Weigh Bar. Notice the two spacers between the Weigh Bar and the deck. Save these.
4. Install the new Weigh Bar, making sure the side stamped with a "T" is facing the deck and that both spacers removed in step 3 are between the Weigh Bar and the deck.
5. Install the feet and adjust to proper height.

## Parts List

Description	Weigh-Tronix Part #	Quantity
Complete Alley Weigh Scale	47612-0019	
Weigh Bar	47610-0011	2
Deck Assembly	47616-0015	1
3/8" Carriage Bolt, SS	27488-0020	6
3/8" Nut, SS	14471-0225	6
3/8" Lockwasher, SS	14474-0214	6
Weigh Bar Spacer	47615-0016	4
Adjustable Footpad, SS	45992-0070	4
3/8" Jam Nut, SS	14497-0225	4
U-bolt, .25 x 2.5	27353-0022	1
1/4" Nut	14471-0068	4
1/4" Lockwasher	14474-0065	4
Cable Tie	13762-0035	12

## Alley Weigh Scale Limited Warranty

### Statement of Limited Warranty

Weigh-Tronix Inc warrants the Alley Weigh Scale to be free from defects in material and factory workmanship for a period of 12 months from the date of purchase or 15 months from the date of shipment from our factory, whichever is longer.

### Terms and Condition of Limited Warranty

This obligation is limited exclusively to defective original equipment manufactured or supplied by Weigh-Tronix.

Weigh-Tronix' responsibility is confined to repair, replacement or credit (at its options) of equipment or parts and does not extend coverage to labor, material or service charges involved in removal or installation of equipment.

All warranty repairs must be performed at a Weigh-Tronix repair facility. The equipment is to be shipped prepaid to an authorized repair facility.

Weigh-Tronix is not responsible and will not be liable for losses, injury or damage caused to persons or property by reason of the installation of Weigh-Tronix products or their failure.

Weigh-Tronix reserves the right to incorporate improvements in material and design of the products without notice and is not obligated to incorporate these improvements in equipment previously manufactured.

### Conditions Which Void Limited Warranty

This warranty shall not apply if:

- A. Equipment has had repairs or modifications performed by person(s) not authorized by Weigh-Tronix which in Weigh-Tronix judgment has affected the performance or reliability.
- B. Equipment has been subject to misuse, negligent handling, improper installation, accident, fire, water, submersion, or act of God.
- C. Equipment has had serial numbers altered, defaced or removed.

THE FOREGOING IS IN LIEU OF ALL OTHER WARRANTIES, EXPRESS OR IMPLIED INCLUDING ANY WARRANTIES THAT EXTEND BEYOND THE DESCRIPTION OF THE PRODUCT. This warranty statement sets forth the extent of our liability for breach of any warranty or deficiency in connection with the sale or use of the product. it is understood that we will not be liable for consequential damages of any nature, including but not limited to, loss of profit, delays or expenses, whether based on tort or contract.

### Weigh-Tronix

1000 Armstrong Dr.

Fairmont, MN 56031 USA

Telephone: 507-238-4461

Facsimile: 507-238-8283

e-mail: [ag@weigh-tronix.com](mailto:ag@weigh-tronix.com)

[www.agscales.com](http://www.agscales.com)



# Avery Weigh-Tronix

SCALES FOR AGRIBUSINESS